

ARMANI / CASA



ANTOINETTE

Coiffeuse in Limited Edition

ARMANI / CASA

ANTOINETTE

DESCRIPTION

The iconic Antoinette vanity table is characterized by a cylindrical shape with folding top and hidden seat. This version features the same backlit round mirror introduced in 2022, which can be turned on/off thanks to the central switch button and is dimmable. The outer structure stands out for its marvelous Shell Mosaic, entirely handmade with squared and rectangular mother-of-pearl tiles that enhances even more the preciousness of this piece. Inside, glossy Black Maple creates a beautiful contrast with the outer finish. The seat is upholstered with the Tolosa fabric (ER069 - Pearl), showing a *moiré* design that highlights the connection with fashion collections by Giorgio Armani.

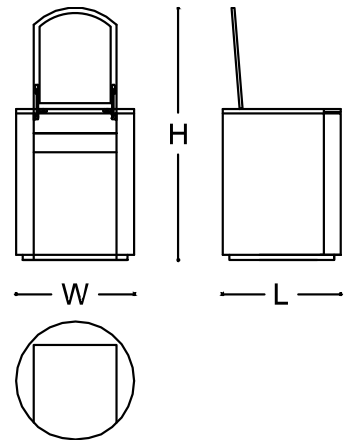
Antoinette is a Limited Edition of 11 pieces.

MADE IN ITALY.

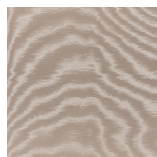
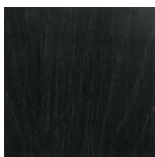
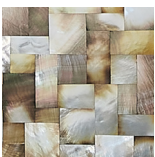
DIMENSIONS

Closed

Ø 70 x 89,5h cm – Inch Ø 27.5 x 35.2h



FINISHES



Shell Mosaic /
Black Maple /
Tolosa fabric (ER069 - Pearl)

ARMANI / CASA

ANTOINETTE

TECHNICAL INFORMATION

External structure

Multilayer covered with mother-of-pearl tiles (Shell Mosaic).

Inner structure

Steel veneered multilayer.

Top

Maple veneered multilayer with round mirror with luminous edge.

Seat

Multilayer frame covered with polyurethane rubber and fabric.

Lighting system

2700 K with switch button.

Maintenance and disposal

Product designed for indoor use. Make sure that the surface does not stay in contact with water or other liquids, even for short periods. The product is made with finishes subject to deterioration if treated with unsuitable substances. Always use neutral and creamy cleaning solutions without alcohol or acids. Never use steel wool or abrasive sponges but a soft wet cloth. Dry thoroughly after each cleaning. The replacement of damaged parts must be done only with original pieces: in this case, please contact an official Armani/Casa dealer for assistance. At the end of its useful life, the product must be returned to an authorized collection center for disposal.