



PORTABLE LUMINAIRE ALADINO SERIES INSTRUCTIONS FOR THE CORRECTED INSTALLATION, USE AND MAINTENANCE

WARNINGS

The following instructions must be applied for the corrected installation, use and maintenance of the product, and serve to guarantee your safety. These instructions have to be kept for future reference, and must be to disposition also of who will have the maintenance.



Discharge correctly the luminaire (see DISCHARGE OF LUMINAIRE - WEEE).

INSTALLATION (see the drawings)

- Extract with caution the luminaire and the diffuser from packs;
- Fix the base (1) to the stem (2) with the nut (3) – get a fork wrench (19 mm measure) and close tightly;
- Remove the ring (4) from the lampholder (5);
- Place the cubic lampshade (6) or the “pagoda” lampshade (7) on the lampholder (5);
- Mount the ring (4) and tighten it on the lampholder;
- Insert the light bulb (8), respect the indicated type and the light bulb wattage on the luminaire; we recommend frosted or opal light bulbs;
- Place the light diffuser (9) in the stops.
- Connect the supply plug to the socket.

CAUTIONS

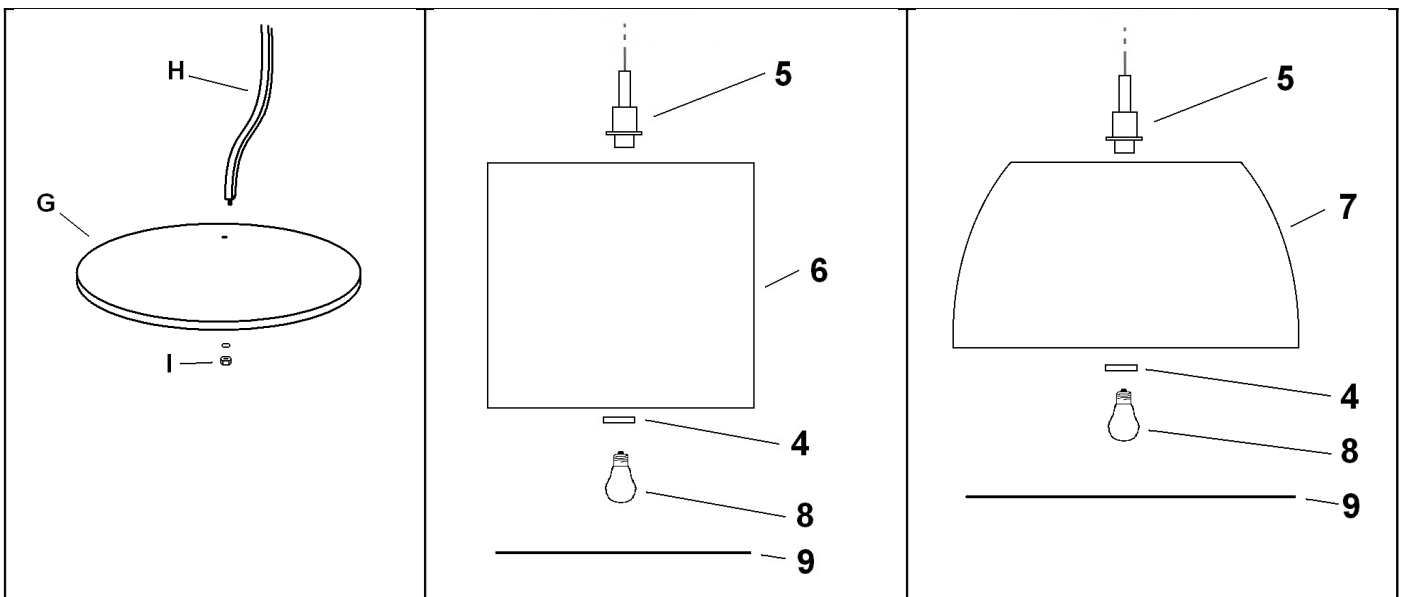
- Do not exceed the maximum wattage (W) of the light bulb indicated on the luminaire label;
- Do not cover the luminaire (with a cloth, a scarf, etc.);
- Use the luminaire in the expected position: do not bent or overturns;
- During the maintenance (for substitution of light bulb or cleaning) unplug the luminaire from the socket;
- For cleaning use only a dry cloth;
- Indoor use only (not splash-proof).

ADDITIONAL NOTES

- For your safety do not modify the luminaire;
- In case it is necessary to replace the supply cable (if accidentally it have been damaged) please ask to the customer service for the substitution.

DISCHARGE OF LUMINAIRE – WEEE (European Directive 2002/96/EC)

This product at its end-life is an electrical waste, and may not be disposed as a normal household waste. You are responsible of the correct disposal of an old product. To determine the locations for dropping off a WEEE contact your local government office, the waste disposal organisation that serves your house, or the store at which you purchased the product. The store can also withdraw the product. Wrong disposal may cause damages to people and the environment for the possibility of dangerous substances. Sanctions are provided for an illegal disposal of electrical waste.



REV02